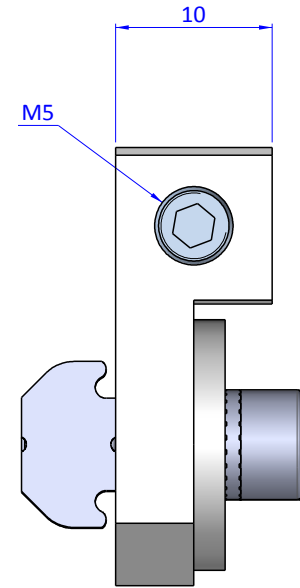
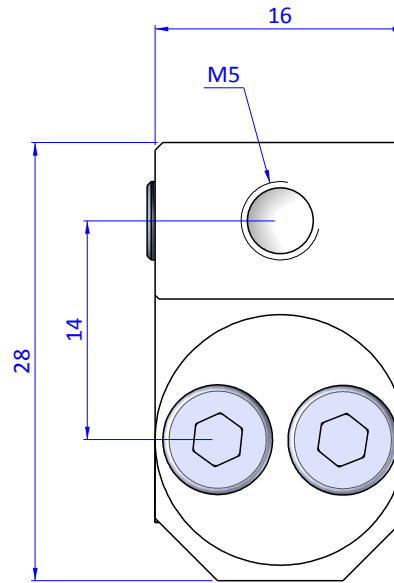
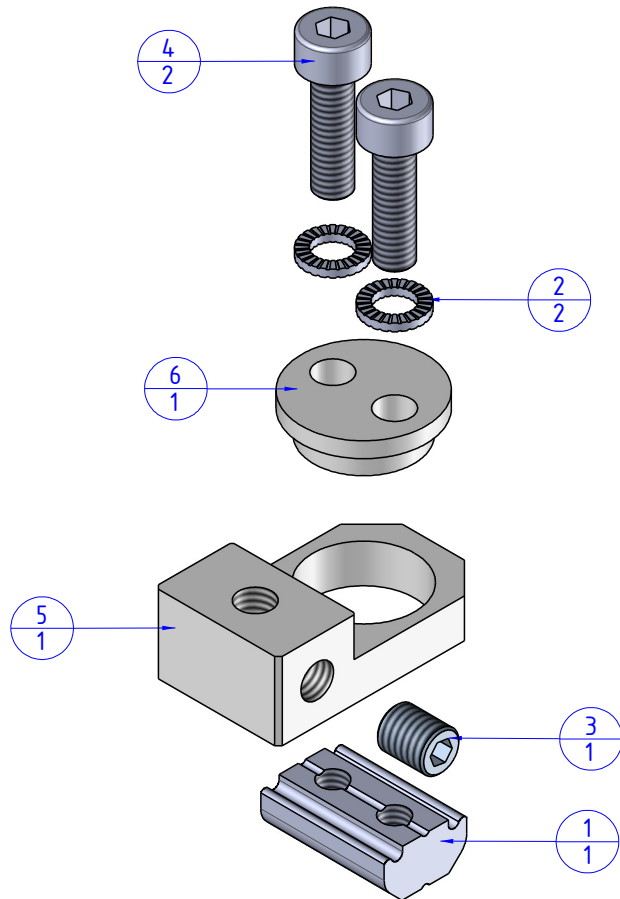


THE PROPERTY OF THE DRAWING IS ESTABLISHED BY LAW. IT IS FORBIDDEN TO PRODUCE OR SHOW IT TO THIRD PARTY, WITHOUT A WRITTEN AGREEMENT.

Item	Name	Q.ty
1	CA.GWP.4.8	1
2	R.4.SCH	2
3	V.STM5x6	1
4	V.TCE4x14	2
5	WSD.L.M5.M5	1
6	WST.10.1	1



Format A3

UNI 936-76

		DESIGNED FROM		REVIEW
		FPSERVICES		A
GENERAL TOLERANCE		DATE	WEIGHT	
UNI - ISO 2768		28/02/2019	0,018kg	
CLASSE f		CODE		
		CA.WSD.L.M5.M5		CA.WSD.L.M5.M5